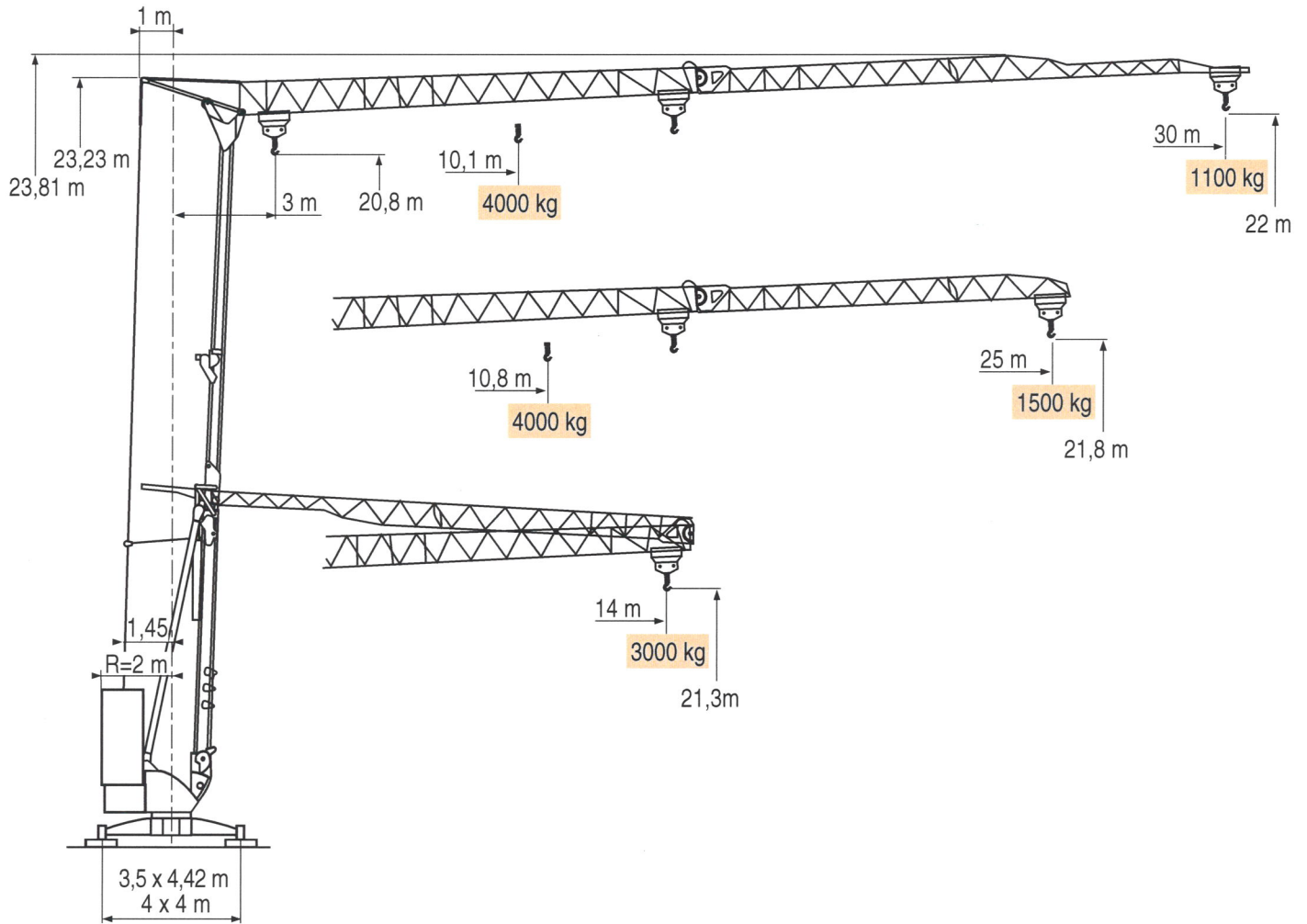


# Cadillon



## CHRONOFLASH® 30 TL

**Manitowoc**  
Crane Group

CE FEM 1.001-A3